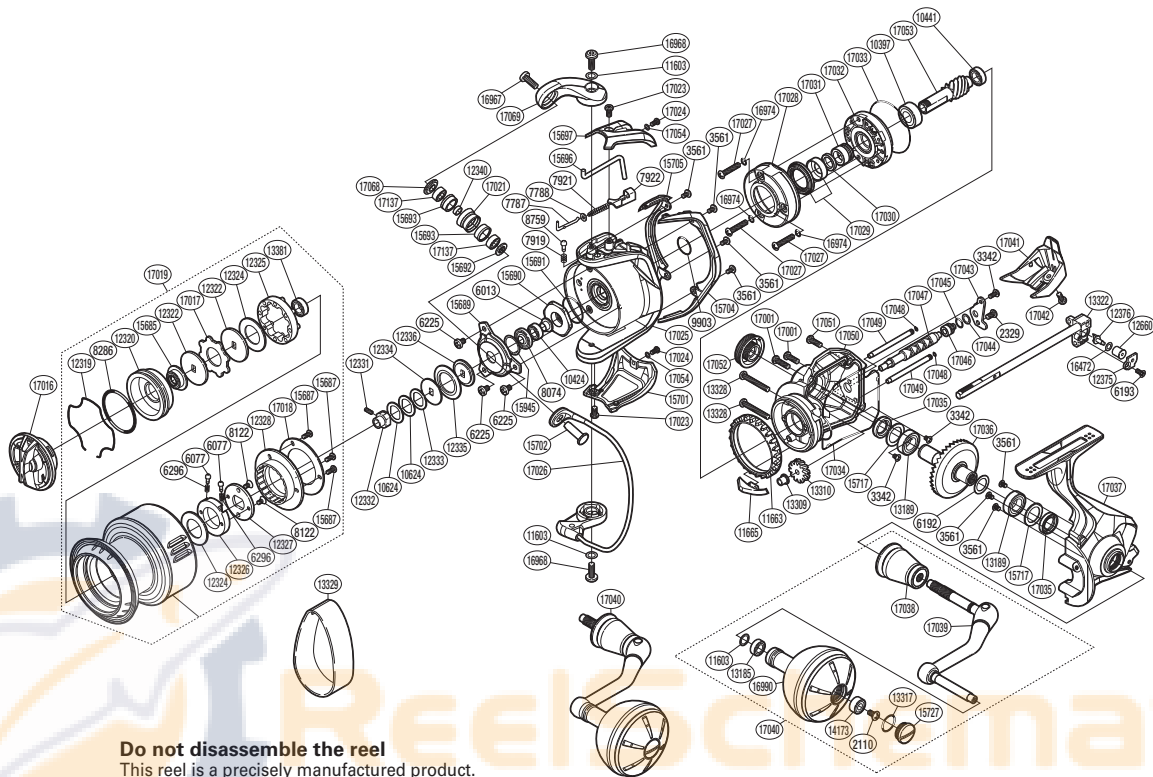


# SHIMANO

TWIN POWER S A-RB

TP-SW5000XG



**Do not disassemble the reel**

This reel is a precisely manufactured product. Disassembling the reel may result in decreased performance. Problems caused by unauthorized disassembly are not covered by warranty.

Please note that the number of adjusting washers may not be the same as shown in the exploded views. (Adjustment will vary with each individual product.)

(51SE51K053X)

Part No.	Description	Part No.	Description	Part No.	Description
RD 2110	Screw	RD12340	Bearing Spacer ****	RD17024	Screw
RD 2329	Screw	RD12375	Oscillating Pawl Cover	RD17025	Rotor
RD 3342	Screw **	RD12376	Oscillating Pawl ***	RD17026	Bail Assembly
RD 3561	Screw **	RD12660	Oscillating Slider Bushing ***	RD17027	Screw
RD 6013	Main Shaft Spacer	RD13185	Ball Bearing	RD17028	Roller Clutch Water Proof Cover
RD 6077	Click Pin	RD13189	Ball Bearing **	RD17029	Roller Clutch Water Proof Set
RD 6192	Washer */**	RD13309	Worm Bushing (front) ***	RD17030	Washer
RD 6193	Screw	RD13310	Idle Gear *	RD17031	Roller Clutch Inner
RD 6225	Screw	RD13317	O Ring	RD17032	Roller Clutch Assembly
RD 6296	Click Spring	RD13322	Main Shaft Assembly	RD17033	O Ring
RD 7787	Bail Spring Guide A	RD13328	Screw	RD17034	Body Seal
RD 7788	Spring Guide A Support	RD13381	Ball Bearing	RD17035	Bearing Water Proof **
RD 7919	Click Spring	RD14173	Ball Bearing	RD17036	Drive Gear *
RD 7921	Bail Spring	RD15685	Bearing Support	RD17037	Side Cover
RD 7922	Bail Spring Seat	RD15687	Screw	RD17038	Handle Shaft Cover
RD 8074	Bearing Water Proof	RD15689	Rotor Nut Lock Plate	RD17039	Handle Shank Assembly
RD 8122	Screw	RD15690	Rotor Nut	RD17040	Handle Assembly
RD 8286	O Ring	RD15691	O Ring	RD17041	Rear Protector
RD 8759	Click Pin	RD15692	Line Roller Plate ****	RD17042	Screw
RD 9903	O Ring	RD15693	Line Roller Bushing ****	RD17043	Worm Shaft Retainer
RD10397	Ball Bearing **	RD15696	Bail Trip Lever	RD17044	Washer ***
RD10424	Ball Bearing	RD15697	Bail Spring Cover	RD17045	O Ring ***
RD10441	Ball Bearing **	RD15701	Bail Hold Support Guard	RD17046	Worm Bushing (rear) ***
RD10624	Spool Washer	RD15702	Line Roller Support ****	RD17047	Worm Shaft ***
RD11603	Washer	RD15704	Rotor Guard A	RD17048	O Ring
RD11663	Friction Ring	RD15705	Rotor Guard B	RD17049	Oscillating Guide
RD11665	Bail Trip Strike	RD15717	Washer **	RD17050	Body
RD12319	Drag Washers Retainer	RD15727	Handle Knob Seal	RD17051	Screw
RD12320	Thrust Bushing	RD15945	Washer	RD17052	Handle Screw Cap
RD12322	Key Washer ***	RD16472	Washer ***	RD17053	Pinion Gear *
RD12324	Drag Washer	RD16967	Screw ****	RD17054	Washer
RD12325	Spool Bushing	RD16968	Screw	RD17068	Line Roller Plate B ****
RD12326	Drag Click Holder	RD16974	O Ring	RD17069	Bail Arm
RD12327	Drag Click Holder Cover	RD16990	Handle Knob	RD17137	Ball Bearing ****
RD12328	Drag Cover	RD17001	Screw		
RD12331	Set Screw	RD17016	Drag Knob	RD13329	Line Band (accessory)
RD12332	Bearing Bushing	RD17017	Eared Washer		
RD12333	Spool Washer	RD17018	Drag Cover I.D. Plate	PK 0302	Gear Set *
RD12334	Spool Support B	RD17019	Spool Assembly	PK 0303	Bearing Set **
RD12335	Bearing Water Proof	RD17021	Line Roller ****	PK 0304	Oscillation Set ***
RD12336	Spool Support	RD17023	Screw	PK 0312	Line Roller Set ****